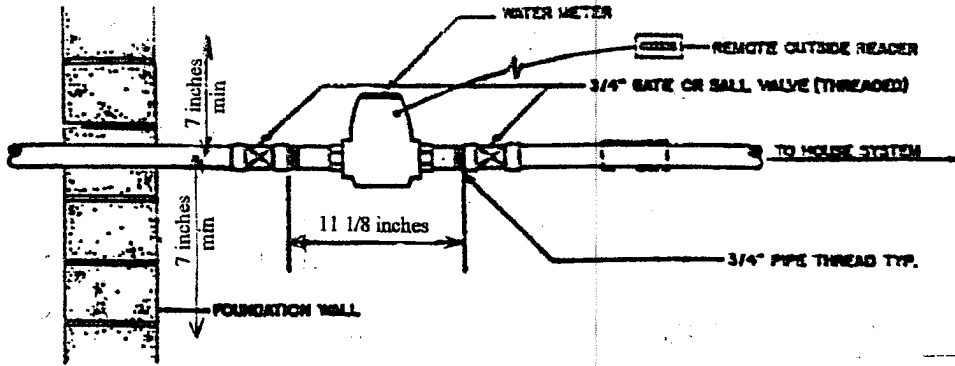


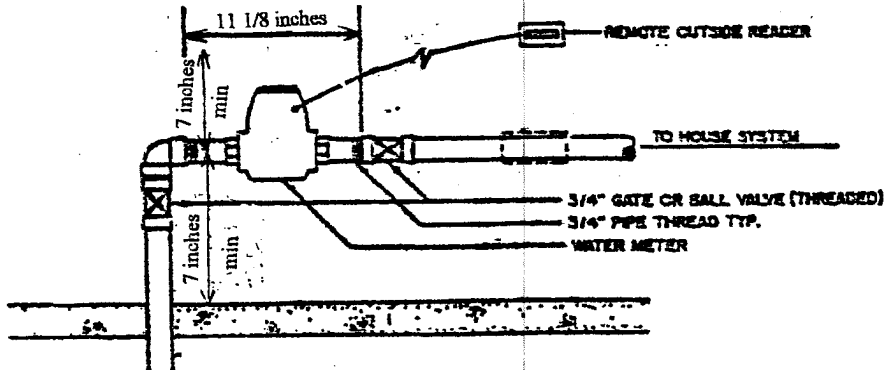
# WATER SERVICE THROUGH WALL

NO SCALE

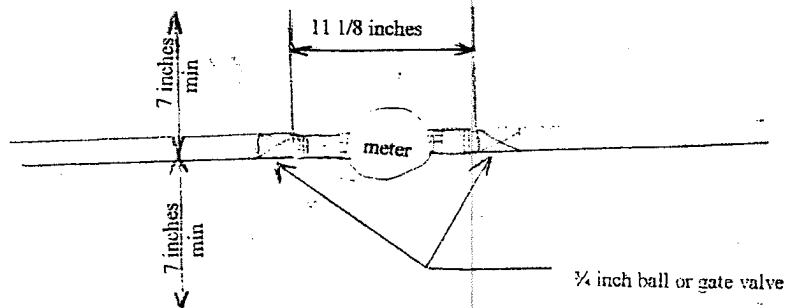


# WATER SERVICE THROUGH FLOOR

NO SCALE



Top View



Temporary Filler

(Installed by homeowner or plumber prior to meter installation)

